

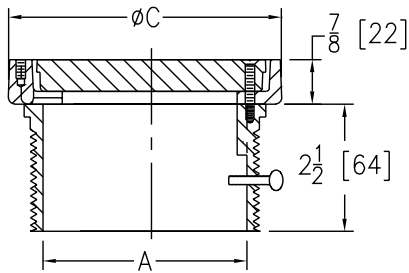
Z1404 HEAVY-DUTY FLOOR ACCESS HOUSING



ENGINEERING SPECIFICATION

Zurn Z1404 floor access housing features Dura-Coated cast iron with round frame and scoriated cast iron heavy-duty secured cover complete with adjusting setscrews.

A Pipe Size/Outlet Type	C inches [mm]	Approximate Weight lb [kg]
Slip Joint (SJ)		
3SJ	6-1/8 [156]	3 [1]
4SJ	7-1/4 [184]	4 [2]
6SJ	9-1/4 [235]	8 [4]



PREFIXES	DESCRIPTION	A PIPE SIZE	LIST PRICE
Z1404*	Dura-Coated Cast Iron	3", 4"	420.00
		6"	556.00
ZN1404	D.C.C.I. with Polished Nickel Bronze Light-Duty Top (Deduct 1/2" from 7/8" Dim.)	3", 4"	582.00
		6"	742.00
ZS1404	D.C.C.I. with Polished Stainless Steel Heavy-Duty Top (Add 3/16" to 7/8" Dim.)	3", 4"	POA
		6"	POA

OUTLET (SPECIFY PIPE SIZE IN INCHES AND TYPE OF OUTLET)			
TYPE	DESCRIPTION	PIPE SIZE/OUTLET TYPE	ADD
SJ	Slip Joint	3SJ, 4SJ, 6SJ	N/C

SUFFIXES			ADD
-HD	Heavy-Duty Veneer Top (Add 1/8" to 2-1/2" Dim. for ZN only)		158.00
-VP	Vandal-Proof Screws		98.00

BEST SELLERS		LIST PRICE
Z1404-4		420.00
ZN1404-4		582.00
Z1404-6		556.00
ZN1404-6		742.00

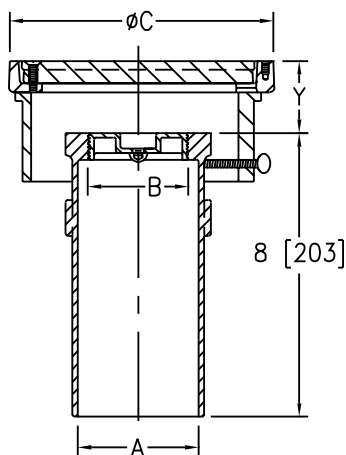
Z1406 HEAVY-DUTY ADJUSTABLE SPIGOT CLEANOUT



ENGINEERING SPECIFICATION

Zurn Z1406 adjustable floor cleanout uses spigot connection for caulking into hub. Features Dura-Coated cast iron body, gas and watertight ABS plug, and cast iron housing with round scoriated secured cast iron heavy-duty cover adjustable to finished floor.

A Pipe Size/Outlet Type	B N.P.T.	Dimensions in inches [mm]			Approximate Weight lb [kg]
		C	Y		
			Min.	Max.	
Spigot (SP)					
3SP	2	6-1/8 [156]	7/8 [22]	2 [51]	11 [5]
4SP	3-1/2	7-1/4 [184]			15 [7]
6SP	3-1/2	9-1/4 [235]			23 [10]



PREFIXES	DESCRIPTION	A PIPE SIZE	LIST PRICE
Z1406*	Dura-Coated Cast Iron	3"	489.00
		4"	597.00
		6"	1,139.00
ZN1406	D.C.C.I. with Polished Nickel Bronze Light-Duty Top (Deduct 1/2" from 'Y' Dim.)	3"	765.00
		4"	883.00
		6"	1,758.00
ZS1406	D.C.C.I. with Polished Stainless Steel Heavy-Duty Top (Add 3/16" to 'Y' Dim.)	3"	POA
		4"	POA
		6"	POA

OUTLET (SPECIFY PIPE SIZE IN INCHES AND TYPE OF OUTLET)			
TYPE	DESCRIPTION	PIPE SIZE/OUTLET TYPE	ADD
SP	Spigot	3SP, 4SP, 6SP	N/C

SUFFIXES			ADD
-AR	Acid Resisting Epoxy Coated Finish		351.00
-BP	Bronze Plug	3", 4"	194.00
		6"	615.00
-CF	Carpet Flange (ZN only)		286.00
-CM	Carpet Marker		80.00
-DC	Duresist Cover		303.00
-DX	Round Top with Dex-O-Tex Flange (2" thru 4" sizes only)		472.00
-G	Galvanized Cast Iron		223.00
-HD	Heavy-Duty Veneer Top (Add 1/8" to 'Y' Dim. for ZN only)		158.00
-SG	Solid Gasketed Cover		303.00
-SM	Special Marking Stamped on Top		194.00
-T	Square Top		N/C
-TX	Square Top Recessed for 1/8" Tile (ZN only)		N/C
-VP	Vandal-Proof Screws		72.00
-X	Round Top Recessed for 1/8" Tile (ZN only)		N/C

BEST SELLER		LIST PRICE
ZN1406-4		883.00

For additional product information, please visit www.zurn.com

*Regularly furnished unless otherwise specified.

Items designated as Best Sellers are most specified and are generally in stock for shipment.

Ⓢ This symbol denotes a product that is engineered to reduce installation and rework time.